

Remove the containment barrel from the shipping box and remove the barrel lid. All of the contents for the Xtreme Shell™ Pipe Flange Containment System are packaged inside the barrel.

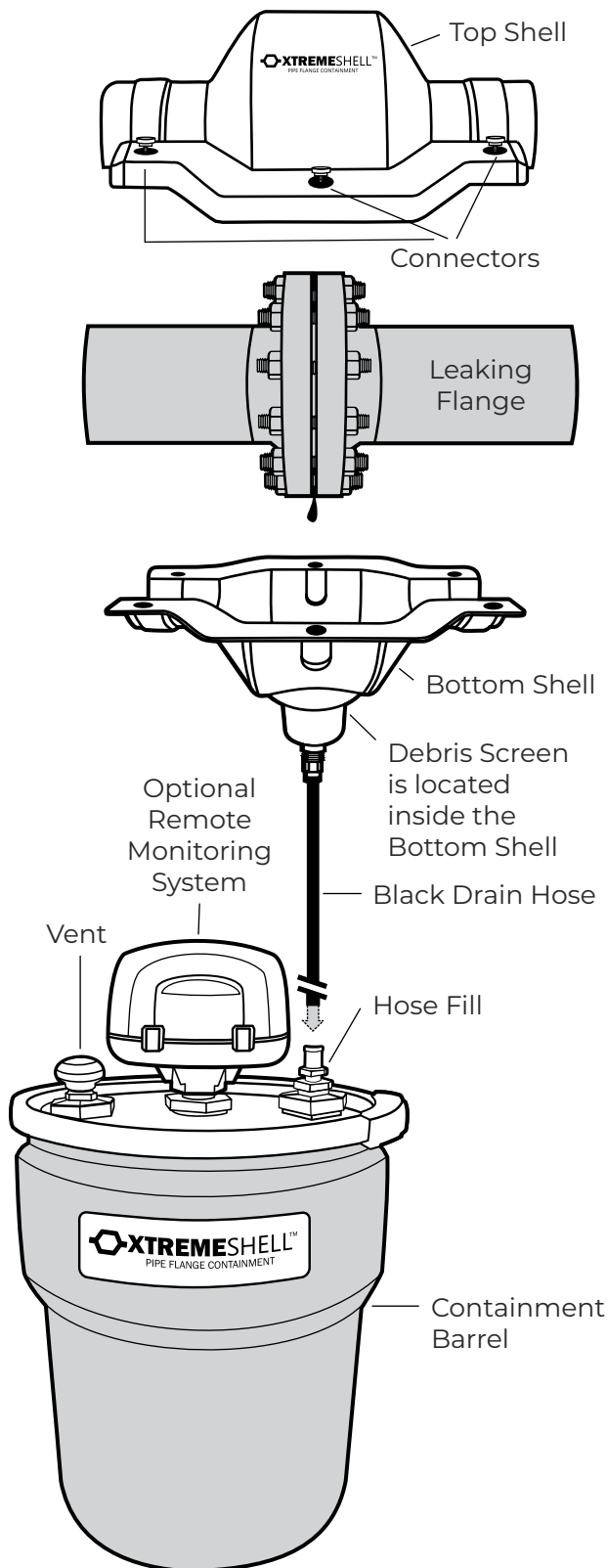
Items Included

- 1 - Orange top shell with connectors attached
- 1 - Orange bottom shell
- 1 - Black hose 16 ft long (Remove the foam - the hose is packaged at the bottom of the barrel, underneath the foam)

Optional

- 1 - Remote Monitoring System (If you order this system, it will be shipped separately)

1. Insert the black hose into the bottom shell. Push firmly to insure connection.
2. Place the bottom shell underneath the leaking flange, fitting the bottom of the flange into the center of the shell. The sides of the shell should be touching the bottom of the pipe on each side of the flange. Hold this in place with your hand.
3. Place the top shell over the top of the flange. The top and bottom of the shells should be touching and the connector holes should line up.
4. Hand tighten all of the connectors clockwise. Do not over tighten.
5. Place the containment barrel out of the way and shorten the hose to your desired length. Slide the drain hose into the hose fill. Push firmly to insure the connection.
6. Make sure the barrel is empty. Lock the lid in place using the lid ring.
7. If you order a Remote Monitoring System, the unit will be preprogrammed for your location. Follow the instructions included with the unit for installation and for smart phone notifications.



WATCH THE
VIDEO
FOR MORE
INSTRUCTION



XTREMESHELL™
PIPE FLANGE CONTAINMENT